

TRAFFIC CRASH REPORT

*DENOTES MANDATORY FIELD FOR SUPPLEMENT REPORT

LOCAL REPORT NUMBER *

<input type="checkbox"/> PHOTOS TAKEN <input type="checkbox"/> SECONDARY CRASH	<input type="checkbox"/> OH-2 <input type="checkbox"/> OH-1P <input type="checkbox"/> OH-3 <input type="checkbox"/> OTHER <input type="checkbox"/> Private Property	LOCAL INFORMATION GRANGER @13700 REPORTING AGENCY NAME * GARFIELD HEIGHTS	NCIC * 01820	HIT/SKIP 1 - Solved 2 - Unsolved 2	NUMBER OF UNITS 02	UNIT IN ERROR <small>98 - ANIMAL 99 - UNKNOWN</small> 02
---	---	--	------------------------	--	------------------------------	---


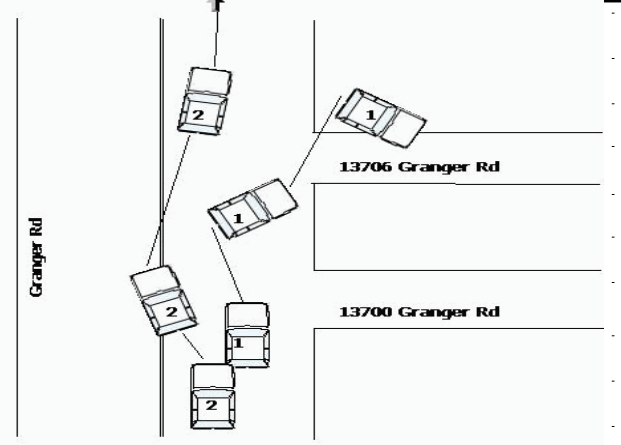
COUNTY * 18	LOCALITY * 1	LOCATION: CITY, VILLAGE, TOWNSHIP * GARFIELD HTS	CRASH DATE/TIME * 02122019 2357	CRASH SEVERITY 1 - FATAL 2 - SERIOUS INJURY SUSPECTED 3 - MINOR INJURY SUSPECTED 4 - INJURY POSSIBLE 5 - PROPERTY DAMAGE ONLY 5
-----------------------	------------------------	--	---	--

LOCATION ROUTE TYPE S R	ROUTE NUMBER 17	PREFIX 	1 - NORTH 2 - SOUTH 3 - EAST 4 - WEST	LOCATION ROAD NAME E138th	ROAD TYPE S T	LATITUDE DECIMAL DEGREES 41.417075	CRASH SEVERITY 1 - FATAL 2 - SERIOUS INJURY SUSPECTED 3 - MINOR INJURY SUSPECTED 4 - INJURY POSSIBLE 5 - PROPERTY DAMAGE ONLY
REFERENCE ROUTE TYPE 	ROUTE NUMBER 	PREFIX 	1 - NORTH 2 - SOUTH 3 - EAST 4 - WEST	REFERENCE ROAD NAME (ROAD, MILEPOST, HOUSE #) E138th	ROAD TYPE S T	LONGITUDE DECIMAL DEGREES 81.586321	

REFERENCE POINT 1 - INTERSECTION 2 - MILE POST 3 - HOUSE # 1	DIRECTION <small>REFERENCE</small> 1 - NORTH 2 - SOUTH 3 - EAST 4 - WEST 3	ROUTE TYPE IR - INTERSTATE ROUTE (TP) US - FEDERAL US ROUTE SR - STATE ROUTE CR - NUMBERED COUNTY ROUTE TR - NUMBERED TOWNSHIP ROUTE	ROAD TYPE AL - ALLEY AV - AVENUE BL - BOULEVARD CR - CIRCLE CT - COURT DR - DRIVE HE - HEIGHTS HW - HIGHWAY LA - LANE MP - MILEPOST OV - OVAL PK - PARKWAY PI - PIKE PL - PLACE RD - ROAD SQ - SQUARE ST - STREET TE - TERRACE TL - TRAIL WA - WAY	INTERSECTION RELATED <input type="checkbox"/> WITHIN INTERSECTION OR ON APPROACH <input type="checkbox"/> WITHIN INTERCHANGE AREA NUMBER OF APPROACHES ROADWAY <input checked="" type="checkbox"/> ROADWAY DIVIDED
---	---	---	--	--

LOCATION OF FIRST HARMFUL EVENT 01 1 - ON ROADWAY 2 - ON SHOULDER 3 - IN MEDIAN 4 - ON ROADSIDE 5 - ON GORE 6 - OUTSIDE TRAFFICWAY 7 - ON RAMP 8 - OFF RAMP 9 - CROSSOVER 10 - DRIVEWAY / ALLEY ACCESS 11 - RAILWAY GRADE CROSSING 12 - SHARED USE PATHS OR TRAILS 13 - BIKE LANE 14 - TOLL BOOTH 99 - OTHER / UNKNOWN	MANNER OF CRASH COLLISION/IMPACT 2 1 - NOT COLLISION BETWEEN TWO MOTOR VEHICLES IN TRANSPORT 2 - REAR-END 3 - HEAD-ON 4 - REAR-TO-REAR 5 - BACKING 6 - ANGLE 7 - SIDESWIPE, SAME DIRECTION 8 - SIDESWIPE, OPPOSITE DIRECTION 9 - OTHER / UNKNOWN	DIRECTION OF TRAVEL 3 1 - NORTH 2 - SOUTH 3 - EAST 4 - WEST MEDIAN TYPE 1 1 - DIVIDED FLUSH MEDIAN (<4 FEET) 2 - DIVIDED FLUSH MEDIAN (≥4 FEET) 3 - DIVIDED, DEPRESSION MEDIAN (ANY TYPE) 4 - DIVIDED, RAISED MEDIAN (ANY TYPE) 9 - OTHER / UNKNOWN
---	---	---

<input type="checkbox"/> WORK ZONE RELATED <input type="checkbox"/> WORKERS PRESENT <input type="checkbox"/> LAW ENFORCEMENT PRESENT <input type="checkbox"/> ACTIVE SCHOOL ZONE	WORK ZONE TYPE 1 - LANE CLOSURE 2 - LANE SHIFT/CROSSOVER 3 - WORK ON SHOULDER OR MEDIAN 4 - INTERMITTENT OR MOVING WORK 5 - OTHER	LOCATION OF CRASH IN WORK ZONE 1 - BEFORE THE 1ST WORK ZONE WARNING SIGN 2 - ADVANCE WARNING AREA 3 - TRANSITION AREA 4 - ACTIVITY AREA 5 - TERMINATION AREA	CONTOUR 1 1 - STRAIGHT LEVEL 2 - STRAIGHT GRADE 3 - CURVE LEVEL 4 - CURVE GRADE 9 - OTHER / UNKNOWN	CONDITIONS 1 1 - DRY 2 - WET 3 - SNOW 4 - ICE 5 - SAND, MUD, DIRT, OIL, GRAVEL 6 - WATER (STANDING, MOVING) 7 - SLUSH 9 - OTHER/UNKNOWN	SURFACE 2 1 - CONCRETE 2 - BLACKTOP, BITUMINOUS, ASPHALT 3 - BRICK/BLOCK 4 - SLAG, GRAVEL, STONE 5 - DIRT 9 - OTHER / UNKNOWN
---	--	---	--	---	---

NARRATIVE DRIVER OF UNIT #1 WAS TRAVELING EAST ON GRANGER RD, UNIT #1 WAS SLOWING DOWN IN AN ATTEMPT TO PULL INTO THE DRIVEWAY AT 13700 GRANGER RD. DRIVER OF UNIT #1 STATED SHE WAS SUDDENLY STRUCK IN THE LEFT REAR BY HIT/SKIP UNIT #2 AND WAS SUBSEQUENTLY PUSHED INTO THE FRONT YARD AND DRIVEWAY OF 13706 GRANGER. HIT/SKIP UNIT #2 FLED THE SCENE OF THE CRASH WITH SUSPECTED HEAVY FRONT END DAMAGE.	<div style="text-align: right;">  <p>Indicate the north direction with an "N" on the compass diagram.</p> </div> 
--	--

CRASH REPORTED DATE/TIME 02122019 2357	DISPATCH DATE/TIME 02122019 2358	ARRIVAL DATE/TIME 02132019 0003	SCENE CLEARED DATE/TIME 02132019 0025	REPORT TAKEN BY <input checked="" type="checkbox"/> POLICE AGENCY <input type="checkbox"/> MOTORIST <input type="checkbox"/> SUPPLEMENT <small>(CORRECTION IN ADDITION TO ORIGINAL REPORT)</small>
TOTAL TIME ROADWAY CLOSED 0	OTHER INVESTIGATION TIME 30	TOTAL MINUTES 52	OFFICER'S NAME * R. Pitts	CHECKED BY OFFICER'S NAME * W. Gall
			OFFICER'S BADGE NUMBER * 023	CHECKED BY OFFICER'S BADGE NUMBER * S15

2 0 1 9 0 5 3 0

OWNER

UNIT # 0 1 OWNER NAME: LAST, FIRST, MIDDLE () Same As Driver
BEHNEY BRANDON F

OWNER ADDRESS: STREET, CITY, STATE, ZIP () Same As Driver
2712 LINCOLN AVE PARMA OH 44134

COMMERCIAL CARRIER: NAME, ADDRESS, CITY, STATE, ZIP
 COMMERCIAL CARRIER PHONE: INCLUDE AREA CODE

DAMAGE

DAMAGE SCALE

4 1 - NONE 3 - FUNCTIONAL DAMAGE
 2 - MINOR DAMAGE 4 - DISABLING DAMAGE
 9 - UNKNOWN

VEHICLE

LP STATE O H LICENSE PLATE # **454VYV** VEHICLE IDENTIFICATION # 1G1PJK5S9J7B729J6476 VEHICLE YEAR 2011 VEHICLE MAKE **Chevrolet**

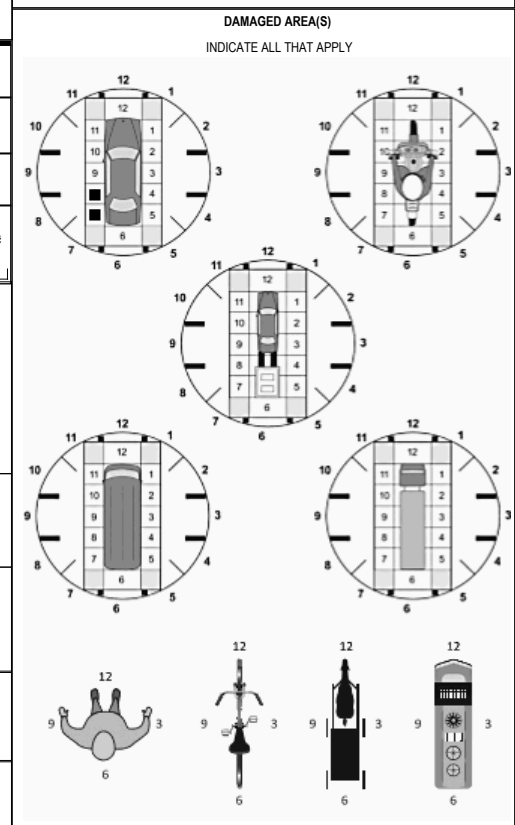
INSURANCE VERIFIED INSURANCE COMPANY **AAA INSURANCE** INSURANCE POLICY # **AUT081728205** VEHICLE COLOR **BLK** VEHICLE MODEL **Malibu**

TYPE OF USE: COMMERCIAL GOVERNMENT IN EMERGENCY RESPONSE

US DOT # _____ TOWED BY: COMPANY NAME _____

INTERLOCK DEVICE EQUIPPED HIT/SKIP UNIT # OCCUPANTS 0 1 VEHICLE WEIGHT GVWR/GCWR: 1 1 - ≤10K LBS. 2 - 10,001 - 26K LBS. 3 - >26K LBS.

HAZARDOUS MATERIAL: MATERIAL RELEASED CLASS # _____ PLACARD ID # _____ PLACARD



UNIT TYPE 0 1

1 - PASSENGER CAR 7 - MOTORCYCLE 2-WHEELED 12 - GOLF CART 18 - LIMO (LIVERY VEHICLE) 23 - PEDESTRIAN/SKATER
 2 - PASSENGER VAN (MINIVAN) 8 - MOTORCYCLE 3-WHEELED 13 - SNOWMOBILE 19 - BUS (16+ PASSENGERS) 24 - WHEELCHAIR (ANY TYPE)
 3 - SPORT UTILITY VEHICLE 9 - AUTOCYCLE 14 - SINGLE UNIT TRUCK 20 - OTHER VEHICLE 25 - OTHER NON-MOTORIST
 4 - PICK UP 10 - MOPED OR MOTORIZED BICYCLE 15 - SEMI-TRACTOR 21 - HEAVY EQUIPMENT 26 - BICYCLE
 5 - CARGO VAN 11 - ALL TERRAIN VEHICLE (ATV / UTV) 16 - FARM EQUIPMENT 22 - ANIMAL WITH RIDER OR ANIMAL-DRAWN VEHICLE 27 - TRAIN
 6 - VAN (9-15 SEATS) 17 - MOTORHOME

of TRAILING UNITS _____

WAS VEHICLE OPERATING IN AUTONOMOUS MODE WHEN CRASH OCCURRED? 2

1 - YES 2 - NO 9 - OTHER / UNKNOWN

AUTONOMOUS MODE LEVEL 0

0 - NO AUTOMATION 1 - DRIVER ASSISTANCE 2 - PARTIAL AUTOMATION 3 - CONDITIONAL AUTOMATION 4 - HIGH AUTOMATION 5 - FULL AUTOMATION 9 - UNKNOWN

SPECIAL FUNCTION 0 1

1 - NONE 6 - BUS - CHARTER/TOUR 11 - FIRE 16 - FARM 21 - MAIL CARRIER
 2 - TAXI 7 - BUS - INTERCITY 12 - MILITARY 17 - MOWING 22 - OTHER / UNKNOWN
 3 - ELECTRONIC RIDE SHARING 8 - BUS - SHUTTLE 13 - POLICE 18 - SNOW REMOVAL N
 4 - SCHOOL TRANSPORT 9 - BUS - OTHER 14 - PUBLIC UTILITY 19 - TOWING
 5 - BUS-TRANSIT/COMMUTER 10 - AMBULANCE 15 - CONSTRUCTION EQUIPMENT 20 - SAFETY SERVICE PATROL

CARGO BODY TYPE 0 1

1 - NO CARGO BODY TYPE / NOT APPLICABLE 3 - VEHICLE TOWING ANOTHER MOTOR VEHICLE 5 - INTERMODAL CONTAINER CHASSIS 8 - POLE 12 - CONCRETE MIXER
 2 - BUS 4 - LOGGING 6 - CARGO VAN/ENCLOSED BOX 9 - CARGO TANK 13 - AUTO TRANSPORTER
 7 - GRAIN/CHIPS/GRAVEL 10 - FLAT BED 11 - DUMP 14 - GARBAGE/REFUSE 15 - OTHER / UNKNOWN

VEHICLE DEFECTS

1 - TURN SIGNALS 4 - BRAKES 7 - WORN OR SLICK TIRES 9 - MOTOR TROUBLE 99 - OTHER / UNKNOWN
 2 - HEAD LAMPS 5 - STEERING 8 - TRAILER EQUIPMENT DEFECTIVE 10 - DISABLED FROM PRIOR ACCIDENT
 3 - TAIL LAMPS 6 - TIRE BLOWOUT

NON-MOTORIST LOCATION AT IMPACT 0 1

1 - INTERSECTION - MARKED CROSSWALK 3 - INTERSECTION - OTHER 6 - BICYCLE LANE 9 - MEDIAN/CROSSING ISLAND 12 - FIRST RESPONDER AT INCIDENT SCENE
 2 - INTERSECTION - UNMARKED 4 - MIDBLOCK - MARKED CROSSWALK 7 - SHOULDER/ROADSIDE 10 - DRIVEWAY ACCESS 14 - GARBAGE/REFUSE 15 - OTHER / UNKNOWN
 5 - TRAVEL LANE-OTHER LOCATION 8 - SIDEWALK 11 - SHARED USE PATHS OR TRAILS 19 - OTHER / UNKNOWN

ACTION 4 PRE-CRASH ACTION 1 1

1 - NON-CONTACT 1 - STRAIGHT AHEAD 7 - MAKING U-TURN 13 - NEGOTIATING A CURVE 18 - APPROACHING OR LEAVING VEHICLE
 2 - NON-COLLISION 2 - BACKING 8 - ENTERING TRAFFIC LANE 14 - ENTERING OR CROSSING SPECIFIED LOCATION 19 - STANDING
 3 - STRIKING 3 - CHANGING LANES 9 - LEAVING TRAFFIC LANE 15 - WALKING, RUNNING, JOGGING, PLAYING 20 - OTHER NON-MOTORIST
 4 - STRUCK 4 - OVERTAKING/PASSING 10 - PARKED 16 - WORKING 21 - STANDING OUTSIDE DISABLED VEHICLE
 5 - BOTH STRIKING & STRUCK 5 - MAKING RIGHT TURN 11 - SLOWING OR STOPPED IN TRAFFIC 17 - PUSHING VEHICLE 99 - OTHER / UNKNOWN
 9 - OTHER / UNKNOWN 6 - MAKING LEFT TURN 12 - DRIVERLESS

INITIAL POINT OF CONTACT

0 7 0 - NO DAMAGE 14 - UNDERCARRIAGE
 1-12 - REFER TO UNIT DIAGRAM 15 - VEHICLE NOT AT SCENE 99 - UNKNOWN

CONTRIBUTING CIRCUMSTANCES 0 1

1 - NONE 7 - LEFT OF CENTER 13 - IMPROPER START FROM A PARKED POSITION 17 - VISION OBSTRUCTION 21 - LYING IN ROADWAY
 2 - FAILURE TO YIELD 8 - FOLLOWING TOO CLOSE/ACDA 14 - STOPPED OR PARKED ILLEGALLY 18 - OPERATING DEFECTIVE EQUIPMENT 22 - NOT DISCRERNABLE
 3 - RAN RED LIGHT 9 - IMPROPER LANE CHANGING 15 - SWERVING TO AVOID 19 - LOAD SHIFTING/ FALLING/SPILLING 23 - OPENING DOOR INTO ROADWAY
 4 - RAN STOP SIGN 5 - UNSAFE SPEED 6 - IMPROPER TURN 10 - IMPROPER PASSING 11 - DROVE OFF ROAD 12 - IMPROPER BACKING 16 - WRONG WAY 20 - IMPROPER CROSSING 99 - OTHER IMPROPER ACTION

TRAFFIC

TRAFFICWAY FLOW 2 1 - ONE-WAY 2 - TWO-WAY

TRAFFIC CONTROL 6 1 - ROUNDABOUT 4 - STOP SIGN 2 - SIGNAL 5 - YIELD SIGN 3 - FLASHER 6 - NO CONTROL

EVENT(S)

SEQUENCE OF EVENTS

1 2 0 1 - OVERTURN/ROLLOVER 6 - EQUIPMENT FAILURE 11 - CROSS CENTERLINE - OPPOSITE DIRECTION OF TRAVEL 16 - RAILWAY VEHICLE 22 - WORK ZONE MAINTENANCE EQUIPMENT
 2 - FIRE/EXPLOSION 7 - SEPARATION OF UNITS 17 - ANIMAL - FARM 18 - ANIMAL - DEER 19 - ANIMAL - OTHER 20 - MOTOR VEHICLE IN TRANSPORT 21 - PARKED MOTOR VEHICLE 24 - OTHER MOVABLE
 3 - IMMERSION 8 - RAN OFF ROAD RIGHT 9 - RAN OFF ROAD LEFT 10 - CROSS MEDIAN 12 - DOWNHILL RUNAWAY 13 - OTHER NON-COLLISION 14 - PEDESTRIAN 15 - PEDALCYCLE

NON-COLLISION

COLLISION with FIXED OBJECT - STRUCK

25 - IMPACT ATTENUATOR / CRASH CUSHION 31 - GUARDRAIL END 37 - TRAFFIC SIGN POST 43 - CURB 44 - DITCH 45 - EMBANKMENT 46 - FENCE 47 - MAILBOX 48 - TREE 49 - FIRE HYDRANT
 26 - BRIDGE OVERHEAD STRUCTURE 32 - PORTABLE BARRIER 38 - OVERHEAD SIGN POST 50 - WORKZONE MAINTENANCE EQUIPMENT 51 - WALL 52 - BUILDING 53 - TUNNEL 54 - OTHER FIXED OBJECT 99 - OTHER / UNKNOWN
 27 - BRIDGE PIER OR ABUTMENT 33 - MEDIAN CABLE BARRIER 39 - LIGHT/LUMINARIES SUPPORT 40 - UTILITY POLE 41 - OTHER POST, POLE OR SUPPORT 42 - CULVERT
 28 - BRIDGE PARAPET 34 - MEDIAN GUARDRAIL BARRIER 35 - MEDIAN CONCRETE BARRIER 36 - MEDIAN OTHER BARRIER

1 FIRST HARMFUL EVENT 1 MOST HARMFUL EVENT

OF THROUGH LANES ON ROAD 2

RAIL GRADE CROSSING 1 1 - NOT INVOLVED 2 - INVOLVED - ACTIVE CROSSING 3 - INVOLVED - PASSIVE CROSSING

UNIT / NON-MOTORIST DIRECTION

FROM 4 TO 3

1 - NORTH 5 - NORTHEAST 2 - SOUTH 6 - NORTHWEST 3 - EAST 7 - SOUTHEAST 4 - WEST 8 - SOUTHWEST

UNIT SPEED 5

POSTED SPEED 3 5

DETECTED SPEED 1 1 - STATED/ESTIMATED SPEED 2 - CALCULATED / EDR 3 - UNDETERMINED

OWNER

UNIT # 0 2 OWNER NAME: LAST, FIRST, MIDDLE (Same As Driver) OWNER PHONE: INCLUDE AREA CODE (Same As Driver)

OWNER ADDRESS: STREET, CITY, STATE, ZIP (Same As Driver)

COMMERCIAL CARRIER: NAME, ADDRESS, CITY, STATE, ZIP COMMERCIAL CARRIER PHONE: INCLUDE AREA CODE

VEHICLE

LP STATE _____ LICENSE PLATE # _____ VEHICLE IDENTIFICATION # _____ VEHICLE YEAR _____ VEHICLE MAKE _____

INSURANCE VERIFIED INSURANCE COMPANY _____ INSURANCE POLICY # _____ VEHICLE COLOR _____ VEHICLE MODEL _____

COMMERCIAL GOVERNMENT IN EMERGENCY RESPONSE US DOT # _____ TOWED BY: COMPANY NAME _____

INTERLOCK DEVICE EQUIPPED HIT/SKIP UNIT # OCCUPANTS 0 1 VEHICLE WEIGHT GVWR/GCWR 1 - ≤10K LBS. 2 - 10,001 - 26K LBS. 3 - >26K LBS. HAZARDOUS MATERIAL MATERIAL RELEASED CLASS # _____ PLACARD ID # _____ PLACARD

UNIT TYPE 9 9

1 - PASSENGER CAR 7 - MOTORCYCLE 2-WHEELED 12 - GOLF CART 18 - LIMO (LIVERY VEHICLE) 23 - PEDESTRIAN/SKATER
 2 - PASSENGER VAN (MINIVAN) 8 - MOTORCYCLE 3-WHEELED 13 - SNOWMOBILE 19 - BUS (16+ PASSENGERS) 24 - WHEELCHAIR (ANY TYPE)
 3 - SPORT UTILITY VEHICLE 9 - AUTOCYCLE 14 - SINGLE UNIT TRUCK 20 - OTHER VEHICLE 25 - OTHER NON-MOTORIST
 4 - PICK UP 10 - MOPED OR MOTORIZED BICYCLE 15 - SEMI-TRACTOR 21 - HEAVY EQUIPMENT 26 - BICYCLE
 5 - CARGO VAN 11 - ALL TERRAIN VEHICLE (ATV / UTV) 16 - FARM EQUIPMENT 22 - ANIMAL WITH RIDER OR ANIMAL-DRAWN VEHICLE 27 - TRAIN
 6 - VAN (9-15 SEATS) 17 - MOTORHOME

of TRAILING UNITS _____

WAS VEHICLE OPERATING IN AUTONOMOUS MODE WHEN CRASH OCCURRED? 9 0 - NO AUTOMATION 1 - DRIVER ASSISTANCE 2 - PARTIAL AUTOMATION 3 - CONDITIONAL AUTOMATION 4 - HIGH AUTOMATION 5 - FULL AUTOMATION 9 - UNKNOWN

1 - YES 2 - NO 9 - OTHER / UNKNOWN

SPECIAL FUNCTION 9 9

1 - NONE 6 - BUS - CHARTER/TOUR 11 - FIRE 16 - FARM 21 - MAIL CARRIER
 2 - TAXI 7 - BUS - INTERCITY 12 - MILITARY 17 - MOWING 22 - OTHER / UNKNOWN
 3 - ELECTRONIC RIDE SHARING 8 - BUS - SHUTTLE 13 - POLICE 18 - SNOW REMOVAL
 4 - SCHOOL TRANSPORT 9 - BUS - OTHER 14 - PUBLIC UTILITY 19 - TOWING
 5 - BUS-TRANSIT/COMMUTER 10 - AMBULANCE 15 - CONSTRUCTION EQUIPMENT 20 - SAFETY SERVICE PATROL

CARGO BODY TYPE 0 1

1 - NO CARGO BODY TYPE / NOT APPLICABLE 3 - VEHICLE TOWING ANOTHER MOTOR VEHICLE 5 - INTERMODAL CONTAINER CHASSIS 8 - POLE 12 - CONCRETE MIXER
 2 - BUS 4 - LOGGING 6 - CARGO VAN/ENCLOSED BOX 9 - CARGO TANK 13 - AUTO TRANSPORTER
 7 - GRAIN/CHIPS/GRAVEL 10 - FLAT BED 14 - GARBAGE/REFUSE 11 - DUMP 15 - GARBAGE/REFUSE
 99 - OTHER / UNKNOWN

VEHICLE DEFECTS 9 9

1 - TURN SIGNALS 4 - BRAKES 7 - WORN OR SLICK TIRES 9 - MOTOR TROUBLE 99 - OTHER / UNKNOWN
 2 - HEAD LAMPS 5 - STEERING 8 - TRAILER EQUIPMENT DEFECTIVE 10 - DISABLED FROM PRIOR ACCIDENT
 3 - TAIL LAMPS 6 - TIRE BLOWOUT

NON-MOTORIST LOCATION AT IMPACT 3

1 - INTERSECTION - MARKED CROSSWALK 3 - INTERSECTION - OTHER 6 - BICYCLE LANE 9 - MEDIAN/CROSSING ISLAND 12 - FIRST RESPONDER AT INCIDENT SCENE
 2 - INTERSECTION - UNMARKED 4 - MIDLCK - MARKED CROSSWALK 7 - SHOULDER/ROADSIDE 10 - DRIVEWAY ACCESS 14 - GARBAGE/REFUSE 15 - GARBAGE/REFUSE
 5 - TRAVEL LANE-OTHER LOCATION 8 - SIDEWALK 11 - SHARED USE PATHS OR TRAILS 19 - TOWING 99 - OTHER / UNKNOWN

ACTION 9 9

1 - NON-CONTACT 2 - NON-COLLISION 3 - STRIKING 4 - STRUCK 5 - BOTH STRIKING & STRUCK 9 - OTHER / UNKNOWN

1 - STRAIGHT AHEAD 2 - BACKING 3 - CHANGING LANES 4 - OVERTAKING/PASSING 5 - MAKING RIGHT TURN 6 - MAKING LEFT TURN 7 - MAKING U-TURN 8 - ENTERING TRAFFIC LANE 9 - LEAVING TRAFFIC LANE 10 - PARKED 11 - SLOWING OR STOPPED IN TRAFFIC 12 - DRIVERLESS 13 - NEGOTIATING A CURVE 14 - ENTERING OR CROSSING SPECIFIED LOCATION 15 - WALKING, RUNNING, JOGGING, PLAYING 16 - WORKING 17 - PUSHING VEHICLE 18 - APPROACHING OR LEAVING VEHICLE 19 - STANDING 20 - OTHER NON-MOTORIST 21 - STANDING OUTSIDE DISABLED VEHICLE 99 - OTHER / UNKNOWN

CONTRIBUTING CIRCUMSTANCES 0 8

1 - NONE 7 - LEFT OF CENTER 13 - IMPROPER START FROM A PARKED POSITION 17 - VISION OBSTRUCTION 21 - LYING IN ROADWAY 22 - NOT DISCERNABLE
 2 - FAILURE TO YIELD 8 - FOLLOWING TOO CLOSE/ACDA 14 - STOPPED OR PARKED ILLEGALLY 18 - OPERATING DEFECTIVE EQUIPMENT 23 - OPENING DOOR INTO ROADWAY
 3 - RAN RED LIGHT 9 - IMPROPER LANE CHANGING 15 - SWERVING TO AVOID 19 - LOAD SHIFTING/ FALLING/SPILLING 99 - OTHER IMPROPER ACTION
 4 - RAN STOP SIGN 10 - IMPROPER PASSING 11 - DROVE OFF ROAD 16 - WRONG WAY 20 - IMPROPER CROSSING
 5 - UNSAFE SPEED 6 - IMPROPER TURN 12 - IMPROPER BACKING

EVENT(S)

SEQUENCE OF EVENTS

NON-COLLISION

1 2 0 1 - OVERTURN/ROLLOVER 6 - EQUIPMENT FAILURE 11 - CROSS CENTERLINE - OPPOSITE DIRECTION OF TRAVEL 16 - RAILWAY VEHICLE 22 - WORK ZONE MAINTENANCE EQUIPMENT
 2 - FIRE/EXPLOSION 7 - SEPARATION OF UNITS 17 - ANIMAL - FARM 18 - ANIMAL - DEER 19 - ANIMAL - OTHER 20 - MOTOR VEHICLE IN TRANSPORT 21 - PARKED MOTOR VEHICLE 24 - OTHER MOVABLE
 3 - IMMERSION 8 - RAN OFF ROAD RIGHT 9 - RAN OFF ROAD LEFT 10 - CROSS MEDIAN 12 - DOWNHILL RUNAWAY 13 - OTHER NON-COLLISION 14 - PEDESTRIAN 15 - PEDALCYCLE

COLLISION WITH FIXED OBJECT - STRUCK

25 - IMPACT ATTENUATOR / CRASH CUSHION 31 - GUARDRAIL END 37 - TRAFFIC SIGN POST 43 - CURB 50 - WORKZONE MAINTENANCE EQUIPMENT
 26 - BRIDGE OVERHEAD STRUCTURE 32 - PORTABLE BARRIER 38 - OVERHEAD SIGN POST 44 - DITCH 51 - WALL 52 - BUILDING
 27 - BRIDGE PIER OR ABUTMENT 33 - MEDIAN CABLE BARRIER 39 - LIGHT/LUMINARIES SUPPORT 45 - EMBANKMENT 46 - FENCE 53 - TUNNEL
 28 - BRIDGE PARAPET 34 - MEDIAN GUARDRAIL BARRIER 40 - UTILITY POLE 41 - OTHER POST, POLE OR SUPPORT 47 - MAILBOX 48 - TREE 54 - OTHER FIXED OBJECT
 29 - BRIDGE RAIL 35 - MEDIAN CONCRETE BARRIER 42 - CULVERT 49 - FIRE HYDRANT 99 - OTHER / UNKNOWN
 30 - GUARDRAIL FACE 36 - MEDIAN OTHER BARRIER

FIRST HARMFUL EVENT 1 MOST HARMFUL EVENT 1

DAMAGE

DAMAGE SCALE 9

1 - NONE 3 - FUNCTIONAL DAMAGE
 2 - MINOR DAMAGE 4 - DISABLING DAMAGE
 9 - UNKNOWN

DAMAGED AREA(S)

INDICATE ALL THAT APPLY

- NO DAMAGE [0] - UNDERCARRIAGE [14]
 - TOP [13] - ALL AREAS [15]
 - UNIT NOT AT SCENE [16]

INITIAL POINT OF CONTACT

1 2 0 - NO DAMAGE 14 - UNDERCARRIAGE
 1-12 - REFER TO UNIT DIAGRAM 15 - VEHICLE NOT AT SCENE 99 - UNKNOWN

TRAFFIC

TRAFFICWAY FLOW 2 1 - ONE-WAY 2 - TWO-WAY

TRAFFIC CONTROL 6 1 - ROUNDABOUT 4 - STOP SIGN 2 - SIGNAL 5 - YIELD SIGN 3 - FLASHER 6 - NO CONTROL

of THROUGH LANES ON ROAD 2

RAIL GRADE CROSSING 1 1 - NOT INVOLVED 2 - INVOLVED - ACTIVE CROSSING 3 - INVOLVED - PASSIVE CROSSING

UNIT / NON-MOTORIST DIRECTION

FROM 4 TO 3

1 - NORTH 5 - NORTHEAST 2 - SOUTH 6 - NORTHWEST 3 - EAST 7 - SOUTHEAST 4 - WEST 8 - SOUTHWEST

UNIT SPEED _____

POSTED SPEED 3 5

DETECTED SPEED 3 1 - STATED/ESTIMATED SPEED 2 - CALCULATED / EDR 3 - UNDETERMINED

MOTORIST / NON-MOTORIST

LOCAL REPORT NUMBER
2 0 1 9 0 5 3 0

UNIT # 0 1	NAME: LAST, FIRST, MIDDLE TANNER LOIS GR		DATE OF BIRTH 0 7 3 1 1 9 6 0		AGE 5 8	GENDER F			
ADDRESS: STREET, CITY, STATE, ZIP 2057 AKINS RD BROADVIEW HTS OH 44147					CONTACT PHONE - INCLUDE AREA CODE				
INJURIES 5	INJURED TAKEN BY	EMS AGENCY (NAME)	INJURED TAKEN TO: MEDICAL FACILITY (NAME, CITY)	SAFETY EQUIPMENT USED 0 4	<input type="checkbox"/> DOT-COMPLIANT MC HELMET	SEATING POSITION 0 1	AIR BAG USAGE 1	EJECTION 1	TRAPPED 1
OL STATE OH	OPERATOR LICENSE NUMBER RM724585		OFFENSE CHARGED	LOCAL CODE <input type="checkbox"/>	OFFENSE DESCRIPTION		CITATION NUMBER		
OL CLASS 4	ENDORSEMENT SELECT UP TO 2	RESTRICTION SELECT UP TO 3	DRIVER DISTRACTED BY 1	ALCOHOL / DRUG SUSPECTED <input type="checkbox"/> ALCOHOL <input type="checkbox"/> MARIJUANA <input type="checkbox"/> OTHER DRUG		CONDITION 1	ALCOHOL TEST STATUS TYPE VALUE STATUS TYPE RESULT SELECT UP TO 4		DRUG TEST(S)

UNIT # 0 2	NAME: LAST, FIRST, MIDDLE		DATE OF BIRTH 0 1 0 1 2 0 0 0		AGE 1 9	GENDER			
ADDRESS: STREET, CITY, STATE, ZIP OH					CONTACT PHONE - INCLUDE AREA CODE				
INJURIES	INJURED TAKEN BY	EMS AGENCY (NAME)	INJURED TAKEN TO: MEDICAL FACILITY (NAME, CITY)	SAFETY EQUIPMENT USED	<input type="checkbox"/> DOT-COMPLIANT MC HELMET	SEATING POSITION	AIR BAG USAGE	EJECTION	TRAPPED
OL STATE	OPERATOR LICENSE NUMBER		OFFENSE CHARGED	LOCAL CODE <input type="checkbox"/>	OFFENSE DESCRIPTION		CITATION NUMBER		
OL CLASS	ENDORSEMENT SELECT UP TO 2	RESTRICTION SELECT UP TO 3	DRIVER DISTRACTED BY	ALCOHOL / DRUG SUSPECTED <input type="checkbox"/> ALCOHOL <input type="checkbox"/> MARIJUANA <input type="checkbox"/> OTHER DRUG		CONDITION	ALCOHOL TEST STATUS TYPE VALUE STATUS TYPE RESULT SELECT UP TO 4		DRUG TEST(S)

UNIT #	NAME: LAST, FIRST, MIDDLE		DATE OF BIRTH		AGE	GENDER			
ADDRESS: STREET, CITY, STATE, ZIP					CONTACT PHONE - INCLUDE AREA CODE				
INJURIES	INJURED TAKEN BY	EMS AGENCY (NAME)	INJURED TAKEN TO: MEDICAL FACILITY (NAME, CITY)	SAFETY EQUIPMENT USED	<input type="checkbox"/> DOT-COMPLIANT MC HELMET	SEATING POSITION	AIR BAG USAGE	EJECTION	TRAPPED
OL STATE	OPERATOR LICENSE NUMBER		OFFENSE CHARGED	LOCAL CODE <input type="checkbox"/>	OFFENSE DESCRIPTION		CITATION NUMBER		
OL CLASS	ENDORSEMENT SELECT UP TO 2	RESTRICTION SELECT UP TO 3	DRIVER DISTRACTED BY	ALCOHOL / DRUG SUSPECTED <input type="checkbox"/> ALCOHOL <input type="checkbox"/> MARIJUANA <input type="checkbox"/> OTHER DRUG		CONDITION	ALCOHOL TEST STATUS TYPE VALUE STATUS TYPE RESULT SELECT UP TO 4		DRUG TEST(S)

INJURIES	SEATING POSITION	AIR BAG	OL CLASS	OL RESTRICTION(S)	DRIVER DISTRACTION	TEST STATUS
1 - FATAL	1 - FRONT - LEFT SIDE (MOTORCYCLE DRIVER)	1 - NOT DEPLOYED	1 - CLASS A	1 - ALCOHOL INTERLOCK DEVICE	1 - NOT DISTRACTED	1 - NONE GIVEN
2 - SUSPECTED SERIOUS INJURY	2 - FRONT - MIDDLE	2 - DEPLOYED FRONT	2 - CLASS B	2 - CDL INTRASTATE ONLY	2 - MANUALLY OPERATING AN ELECTRONIC COMMUNICATION DEVICE (TEXTING, TYPING, DIALING)	2 - TEST REFUSED
3 - SUSPECTED MINOR INJURY	3 - FRONT - RIGHT SIDE	3 - DEPLOYED SIDE	3 - CLASS C	3 - CORRECTIVE LENSES	3 - TALKING ON HANDS-FREE COMMUNICATION DEVICE	3 - TEST GIVEN, CONTAMINATED SAMPLE / UNUSABLE
4 - POSSIBLE INJURY	4 - SECOND - LEFT SIDE (MOTORCYCLE PASSENGER)	4 - DEPLOYED BOTH FRONT / SIDE	4 - REGULAR CLASS (OHIO = D)	4 - FARM WAIVER	4 - TALKING ON HAND-HELD COMMUNICATION DEVICE	4 - TEST GIVEN, RESULTS KNOWN
5 - NO APPARENT INJURY	5 - SECOND - MIDDLE	5 - NOT APPLICABLE	5 - M / C MOPED ONLY	5 - EXCEPT CLASS A BUS & CLASS B BUS	5 - OTHER ACTIVITY WITH AN ELECTRONIC DEVICE	5 - TEST GIVEN, RESULTS UNKNOWN
INJURED TAKEN BY		6 - SECOND - RIGHT SIDE	6 - NO VALID OL	6 - EXCEPT CLASS A & CLASS B BUS	6 - PASSENGER	ALCOHOL TEST TYPE
1 - NOT TRANSPORTED / TREATED AT SCENE	7 - THIRD - LEFT SIDE (MOTORCYCLE SIDE CAR)	9 - DEPLOYMENT UNKNOWN	EJECTION	7 - EXCEPT TRACTOR-TRAILER RESTRICTIONS	7 - OTHER DISTRACTION INSIDE THE VEHICLE	1 - NONE
2 - EMS	8 - THIRD - MIDDLE	EJECTION	H - HAZMAT	8 - INTERMEDIATE LICENSE RESTRICTIONS	8 - OTHER DISTRACTIONS OUTSIDE THE VEHICLE	2 - BLOOD
3 - POLICE	9 - THIRD - RIGHT SIDE	1 - NOT EJECTED	M - MOTORCYCLE	9 - LEARNER'S PERMIT RESTRICTIONS	9 - OTHER / UNKNOWN	3 - URINE
9 - OTHER / UNKNOWN	10 - SLEEPER SECTION OF TRUCK CAB	2 - PARTIALLY EJECTED	P - PASSENGER	10 - LIMITED TO DAYLIGHT ONLY	CONDITION	4 - BREATH
SAFETY EQUIPMENT		3 - TOTALLY EJECTED	N - TANKER	11 - LIMITED TO EMPLOYMENT	1 - APPARENTLY NORMAL	DRUG TEST TYPE
1 - NONE USED	11 - PASSENGER IN OTHER ENCLOSED CARGO AREA (NON-TRAILING UNIT, BUS, PICK-UP WITH CAP)	4 - NOT APPLICABLE	Q - MOTOR SCOOTER	12 - LIMITED - OTHER	2 - PHYSICAL IMPAIRMENT	1 - NONE
2 - SHOULDER BELT ONLY USED	12 - PASSENGER IN UNENCLOSED CARGO AREA	4 - NOT APPLICABLE	R - THREE-WHEEL MOTORCYCLE	13 - MECHANICAL DEVICES (SPECIAL BRAKES, HAND CONTROLS, OR OTHER ADAPTIVE DEVICES)	3 - EMOTIONAL (E.G. DEPRESSED, ANGRY, DISTURBED)	2 - BLOOD
3 - LAP BELT ONLY USED	13 - TRAILING UNIT	1 - NOT TRAPPED	S - SCHOOL BUS	14 - MILITARY VEHICLES ONLY	4 - ILLNESS	3 - URINE
4 - SHOULDER & LAP BELT USED	14 - RIDING ON VEHICLE EXTERIOR (NON-TRAILING UNIT)	2 - EXTRICATED BY MECHANICAL MEANS	T - DOUBLE & TRIPLE TRAILERS	15 - MOTOR VEHICLES WITHOUT AIR BRAKES	5 - FELL ASLEEP, FAINTED, FATIGUED, ETC.	4 - OTHER
5 - CHILD RESTRAINT SYSTEM - FORWARD FACING	15 - NON-MOTORIST	3 - FREED BY NON-MECHANICAL MEANS	X - TANKER / HAZMAT	16 - OUTSIDE MIRROR	6 - UNDER THE INFLUENCE OF MEDICATIONS / DRUGS / ALCOHOL	DRUG TEST RESULT(S)
6 - CHILD RESTRAINT SYSTEM - REAR FACING	99 - OTHER / UNKNOWN			17 - PROSTHETIC AID	9 - OTHER / UNKNOWN	1 - AMPHETAMINES
7 - BOOSTER SEAT				18 - OTHER		2 - BARBITURATES
8 - HELMET USED						3 - BENZODIAZEPINES
9 - PROTECTIVE PADS USED (ELBOWS, KNEES, ETC.)						4 - CANNABINOIDS
10 - REFLECTIVE CLOTHING						5 - COCAINE
11 - LIGHTING - PEDESTRIAN / BICYCLE ONLY						6 - OPIATES / OPIOIDS
99 - OTHER / UNKNOWN						7 - OTHER
						8 - NEGATIVE RESULTS